

55-inch Class FULL HD LCD Display

TH-55LFE8U

● Product specification (design and specification subject to change without notice)

■ DISPLAY PANEL

Screen Size (Diagonal)	54.6-inch (1387 mm)
Panel type	IPS / Direct-LED
Aspect ratio	16:9
Effective Display Area (W x H)	47.6" x 26.8" (1209 x 680 mm)
Number of pixels (H x V)	1920 x 1080 pixels
Brightness	350 cd/m ² (Typ)
Contrast Ratio	1200:1
Response Time	9 ms (G to G)
Viewing Angle (Horizontal / Vertical)	178° / 178° (CR ≥ 20)
Panel Life Time* ¹	approx. 50000 hours (typ)

*¹ When the panel lifetime is at 50% of the brightness under the condition of 25 degrees Celsius (+/- 2 degrees Celsius).

■ CONNECTION TERMINAL

VIDEO IN	4-Pole Mini Jack (M3) x 1	1.0 V [p-p] (75 Ω) 0.5 V [rms]
HDMI IN	HDMI Type A Connector x 2 (VIERA LINK is not supported)	Linear PCM (Sampling frequency : 48 kHz/44.1 kHz/32 kHz)
DVI-D IN	DVI-D 24-pin x 1	Compliance with DVI Revision 1.0 Compatible with HDCP 1.1
PC IN	Mini D-Sub 15-pin x 1 (Female)	Y/G : with sync 1.0 V [p-p] (75 Ω) : without sync 0.7 V [p-p] (75 Ω) P _B /C _B /B : 0.7 V [p-p] (75 Ω) P _R /C _R /R : 0.7 V [p-p] (75 Ω) HD/VD : 1.0 - 5.0 V [p-p] (high impedance)
SERIAL IN	D-sub 9pin x 1, RS-232C Compatible	
LAN	RJ45 x 1 10BASE-T/100BASE-TX, Compatible with PLink	
IR TRANSMITTER IN / OUT	Mini Jack (M3) x 1 / x 1	
AUDIO IN	Stereo Mini Jack (M3) x 1 (Shared with DVI-D IN and PC IN)	0.5 V [rms]
AUDIO OUT	Stereo Mini Jack (M3) x 1 Variable (-∞ - 0 dB) (1 kHz 0 dB Input, 10 kΩ Load)	0.5 V [rms]
USB	USB 2.0 Type A connector x 1 DC 5 V/1A (USB 3.0 is not supported.)	

■ AUDIO

Built in Speaker	10 W (Full range : 80 × 30 mm × 2)
Line Out	20 W [10 W + 10 W]

■ ELECTRICAL

Power Requirements	110 - 127 V AC, 50 Hz/60 Hz
Power Consumption	170 W
On Mode Average Power Consumption*	130 W
Power Off Condition	approx. 0.3 W
Stand-by Condition	approx. 0.5 W
Apparent power	170 (VA)

*Based on IEC 62087 Ed.2 measurement method

■ MECHANICAL

Dimensions (W x H x D)	48.8" x 28.0" x 2.5" (1239 x 712 x 62 mm)
Weight	approx. 35.3 lbs. (16.0 kg)
Bezel Color	Black
Bezel Width	T/R/L:0.5" (12.6 mm), B:0.6" (14.5 mm)
Carton Dimensions (W x H x D)	53.7" x 34.0" x 7.3" (1365 x 864 x 185 mm)
Gross Weight	approx. 53.0 lbs. (24.0 kg)
Cabinet Material / Color	Plastic/Black
Pitch for Wall-Hanging	VESA Compliant 15.8" x 15.8" (400 x 400 mm) (Installed by: M6 screws /Screw hole depth 0.63" (16 mm))

■ INSTALLATION

Orientation	Landscape / Portrait
Tilting Angle	0 - 20 degrees with landscape setting

*Please contact your sales representative with regard to the tilt angle before installation.

■ ENVIRONMENTAL

Operating Environment	Temperature	: 32°F to 104°F (0°C to 40°C)* ¹ : 32°F to 95°F (0°C to 35°C)* ²
	Humidity	: 20% to 80% (No condensation)
	Altitude	: 0 to 9186 ft (0 to 2800 m)
Storage Environment	Temperature	: -4°F to 140°F (-20°C to 60°C)
	Humidity	: 20% to 80% (No condensation)

*¹ : for up to 4593 ft (1400 m) altitude *² : for between 4593 ft (1400 m) and 9186 ft (2800 m) altitude
Depending on the temperature or humidity conditions, uneven brightness may be observed. This is not a malfunction.
• This unevenness will disappear while applying current continuously. If not, consult the distributor.

UPC Code	885170240865
----------	--------------

MAIN FEATURE

Digital Zoom	Yes
Multi Display	Yes
Power ON Screen Delay	Yes
1:1 Pixel mode	Yes
Auto setup	Yes
Screen Saver	Yes
PC Power Management	Yes
DVI-D Power Management	Yes
HDMI Power Management	Yes
Input Lock	Yes
Button Lock	Yes
Remote-control User Level	Yes
Input Search	Yes
USB Media Player	Yes
Data Cloning	Yes
Early Warning Software compatible	Yes
Multi Monitoring & Control Software compatible	Yes

STANDARD (CERTIFICATIONS)

SAFETY REGULATIONS	UL60950-1
RADIATION REGULATIONS	FCC 47 CFR, Part 15, Subpart B Class A, ICES-003

REMOTE CONTROL TRANSMITTER

Power Requirements	DC 3 V (2 x AAA Size batteries)
Operating distance	approx. 23 ft (7 m)*
Weight	approx. 2.2 oz (63 g) including batteries
Dimensions (W x H x D)	1.7" x 4.1" x 0.8" (44 x 105 x 20.5 mm)

*When operated directly in front of receptor.

INCLUDED ACCESSORIES

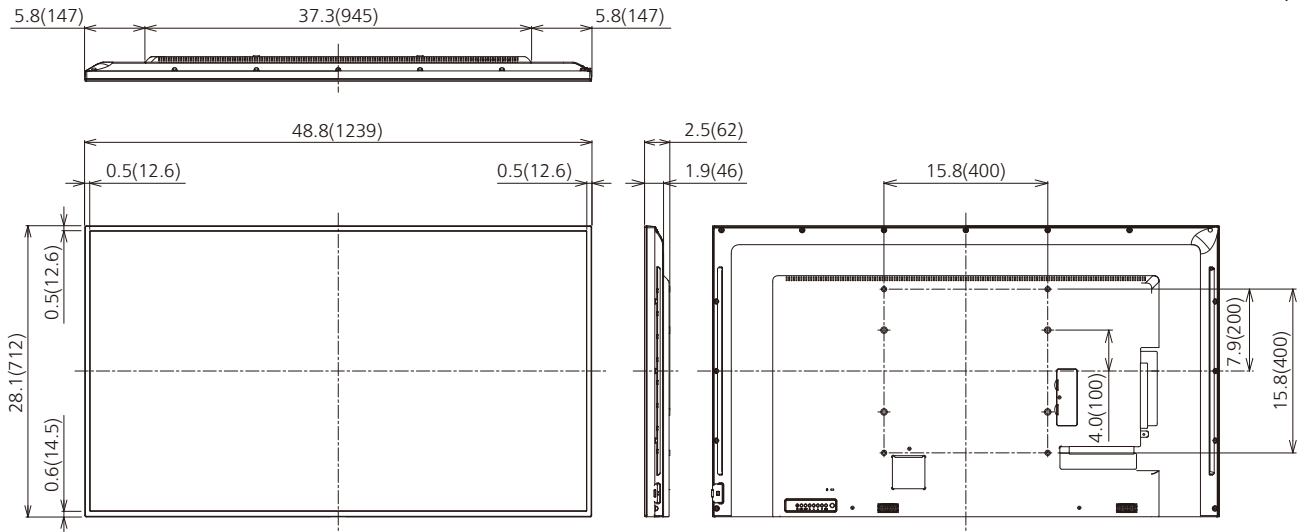
- AC cord (71" (1.8 m))
- Remote Control
- Batteries (AAA size) x 2
- Clamper x 3
- CD-ROM / User Manual
- Operating instruction book

OPTIONAL ACCESSORIES

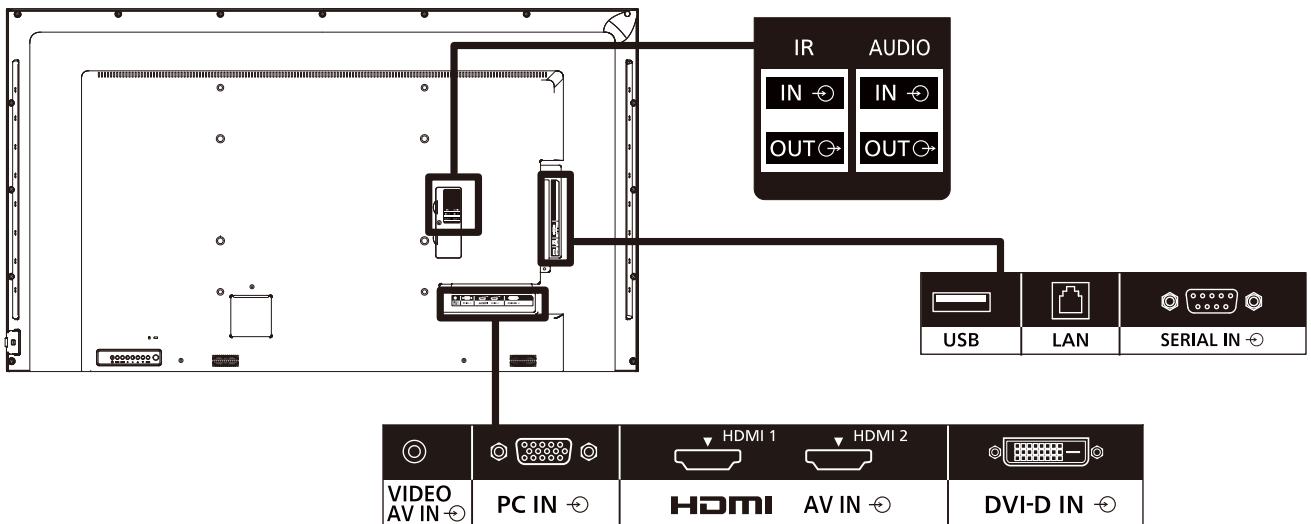
Pedestal Stand	TY-ST43PE8
----------------	------------

DIMENSIONS

Cautions: This drawing is not a scale
Units : inches (mm)



CONNECTION TERMINAL



* Specifications and appearance are subject to change without notice.

List of correspondence signals

V : VIDEO
 R : D-sub RGB
 Y : YCbCr/YPbPr
 D : DVI-D
 H : HDMI

The picture signal which can indicate a this machine is as it is the following table.

Picture signal form

Correspondence signal	Resolution (dot)	Scan rate		Dot clock rate (MHz)	Input format
		Horizontal (kHz)	Vertical (Hz)		
NTSC/NTSC4.43 / PAL-M/PAL60	720 x 480i	15.73	59.94	-	V
PAL/PAL-N/SECAM	720 x 576i	15.63	50.00	-	V
525i (480i)	720 x 480i	15.73	59.94	13.50	R/Y
625i (576i)	720 x 576i	15.63	50.00	13.50	R/Y
525i (480i)	720 (1440) x 480i*2	15.73	59.94	27.00	D/H
625i (576i)	720 (1440) x 576i*2	15.63	50.00	27.00	D/H
525p (480p)	720 x 480	31.47	59.94	27.00	R/Y/D/H
625p (576p)	720 x 576	31.25	50.00	27.00	R/Y/D/H
750 (720) /60p	1280 x 720	45.00	60.00	74.25	R/Y/D/H
750 (720) /50p	1280 x 720	37.50	50.00	74.25	R/Y/D/H
1125(1080)/60i*1	1920 x 1080i	33.75	60.00	74.25	R/Y/D/H
1125 (1080) /50i	1920 x 1080i	28.13	50.00	74.25	R/Y/D/H
1125 (1080) /24p	1920 x 1080	27.00	24.00	74.25	R/Y/D/H
1125 (1080) /24PsF	1920 x 1080i	27.00	48.00	74.25	R/Y
1125 (1080) /25p	1920 x 1080	28.13	25.00	74.25	R/Y/D/H
1125 (1080) /30p	1920 x 1080	33.75	30.00	74.25	R/Y/D/H
1125 (1080) /60p	1920 x 1080	67.50	60.00	148.50	R/Y/D/H
1125 (1080) /50p	1920 x 1080	56.25	50.00	148.50	R/Y/D/H

PC signal form

Correspondence signal	Resolution (dot)	Scan rate		Dot clock rate (MHz)	Input format
		Horizontal (kHz)	Vertical (Hz)		
VESA400	640 x 400	31.47	70.09	25.18	R/Y/D/H
		31.50	85.08	31.50	R/Y/D/H
VGA	640 x 480	31.47	59.94	25.18	R/Y/D/H
		35.00	66.67	30.24	R/Y/D/H
		37.86	72.81	31.50	R/Y/D/H
		37.50	75.00	31.50	R/Y/D/H
		43.27	85.01	36.00	R/Y/D/H
SVGA	800 x 600	35.16	56.25	36.00	R/Y/D/H
		37.88	60.32	40.00	R/Y/D/H
		48.08	72.19	50.00	R/Y/D/H
		46.88	75.00	49.50	R/Y/D/H
MAC16	832 x 624	49.72	74.55	57.28	R/Y/D/H
		852 x 480	31.47	59.94	34.24
XGA	1024 x 768	39.55	50.00	51.89	D/H
		48.36	60.00	65.00	R/Y/D/H
		56.48	70.07	75.00	R/Y/D/H
		60.02	75.03	78.75	R/Y/D/H
		65.55	81.63	86.00	R/Y/D/H
		68.68	85.00	94.50	R/Y/D/H
WSVGA	1066 x 600	37.64	59.94	53.00	D/H
		53.70	60.00	81.62	D/H
MXGA	1152 x 864	63.99	70.02	94.20	R/Y/D/H
		67.50	75.00	108.00	R/Y/D/H
		77.09	85.00	119.65	R/Y/D/H
MAC21	1152 x 870	68.68	75.06	100.00	R/Y/D/H
		1280 x 720	44.76	60.00	74.48
1280 x 768	1280 x 768	39.55	49.94	65.18	R/Y/D/H
		47.70	60.00	80.14	R/Y/D/H
		47.78	59.87	79.50	R/Y/D/H
1280 x 800	1280 x 800	41.20	50.00	68.56	R/Y/D/H
		49.31	59.91	71.00	R/Y/D/H
		49.70	59.81	83.50	R/Y/D/H
MSXGA	1280 x 960	60.00	60.00	108.00	R/Y/D/H
		85.94	85.00	148.50	R/Y
SXGA	1280 x 1024	63.98	60.02	108.00	R/Y/D/H
		79.98	75.02	135.00	R/Y/D/H
		91.15	85.02	157.50	R/Y/D/H
1360 x 768	1360 x 768	47.71	60.02	85.50	D/H
		47.70	60.00	84.72	D/H
		47.72	59.80	84.75	D/H
1366 x 768	1366 x 768	39.55	50.00	69.92	D/H
		48.39	60.03	86.71	R/Y/D/H
		48.00	60.00	72.00	R/Y/D/H
		39.56	49.89	69.00	R/Y/D/H
		47.71	59.79	85.50	R/Y/D/H
SXGA+	1400 x 1050	65.22	60.00	122.61	D/H
		82.20	75.00	155.85	R/Y/D/H
WXGA+	1440 x 900	55.47	59.90	88.75	R/Y/D/H
		55.92	60.00	106.47	R/Y/D/H
1600 x 900	1600 X 900	46.30	50.00	97.05	D/H
		60.00	60.00	108.00	D/H
		55.99	59.95	118.25	D/H
		55.92	60.00	119.00	D/H
WSXGA+	1680 x 1050	65.29	59.95	146.25	R/Y/D/H
UXGA	1600 x 1200 ³	75.00	60.00	162.00	R/Y/D/H
1920 x 1080	1920 x 1080 ⁴	66.59	59.93	138.50	R/Y/D/H
		67.50	60.00	148.50	R/Y/D/H
WUXGA	1920 x 1200 ³	74.04	59.95	154.00	R/Y/D/H

● The signal format distinguished automatically will be sometimes indication different from an actual input signal.

*1: When 1125 (1035) /60i signal is input, it is displayed as 1125 (1080) /60i signal.

*2: Pixel-Repetition signal (dot clock frequency 27.0 MHz) only

*3: Displayed with image elements thinned out in the image processing circuit.

*4: Based on VESA CVT-RB (Reduced Blanking) standard