

Specifications

MLC 55 RS

Communication – host port

USB host port.....	USB mini B, front panel behind faceplate
USB standards	USB 2.0, low speed
IR learning frequencies.....	30 kHz to 300 kHz
IR learning distance.....	4" (10 cm) to 14" (36 cm) from the receiver
Program control.....	Extron MLC 55, 62 and 64 Series Configuration Program for Windows® Extron Simple Instruction Set (SIS™)

Communication – serial port

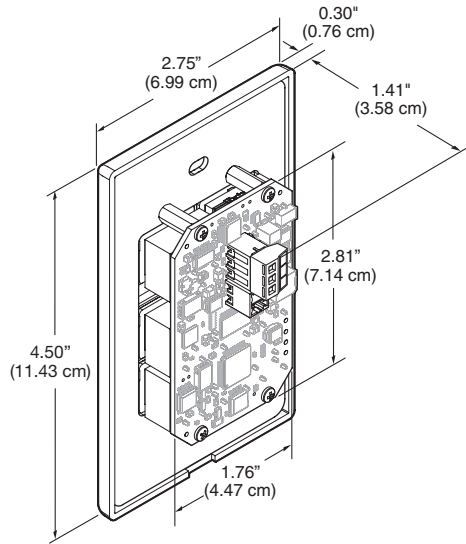
Serial control port.....	(1) 3.5 mm captive screw connector, 2 pole, ground pin shared with IR port, for unidirectional RS-232 control (±5 V)
Baud rate and protocol (RS-232) ...	9600 (default), 19200, 38400, 57600, or 115,200 baud; 8 (default) or 7 data bits; 1 stop bit; no parity (default), or even or odd parity

Communication – IR port

IR control port.....	(1) 3.5 mm captive screw connector, 2 pole, ground pin shared with serial port (transmit only) TTL level (0 to 5 V) modulated infrared control from 30 kHz up to 300 kHz
----------------------	---

General

Power supply.....	External Input: 100-240 VAC, 50-60 Hz Output: 12 VDC, 1 A, 12 watts
Power consumption	
Device.....	1.1 watts, 12 VDC
Device and power supply	1.5 watts, 100-240 VAC, 50-60 Hz
Temperature/humidity	Storage: -40 to +158 °F (-40 to +70 °C) / 10% to 90%, noncondensing Operating: +32 to +122 °F (0 to +50 °C) / 10% to 90%, noncondensing
Cooling	Convection, no vents
Thermal dissipation	
Device.....	3.6 BTU/hr
Device and power supply	4.9 BTU/hr
Mounting	Wall or furniture mount Mount in a standard 1 gang US electrical junction box or with included mud ring.
Enclosure type.....	Plastic
Enclosure dimensions	
Faceplate	4.50" H x 2.75" W x 0.30" D (11.43 cm H x 6.99 cm W x 0.76 cm D)
Device.....	2.81" H x 1.76" W x 1.41" D (7.14 cm H x 4.47 cm W x 3.58 cm D) Fits inside a standard US 1 gang junction box. (Depth includes connectors. Allow enough depth in the junction box for device plus cable clearance.)



**MLC 55 RS
Rear**

Product weight	0.26 lbs (0.1 kg)
Shipping weight	2 lbs (1 kg)
Vibration	ISTA 1A in carton (International Safe Transit Association)
Regulatory compliance	
Safety	CE, c-UL, UL
EMI/EMC	CE, C-tick, FCC Class A, ICES, VCCI Class A
Accessibility	Section 508 of the Rehabilitation Act (29 U.S.C. 794d)
Warranty	3 years parts and labor

NOTE: All nominal levels are at $\pm 10\%$.

NOTE: Specifications are subject to change without notice.

8.1-101714-D3